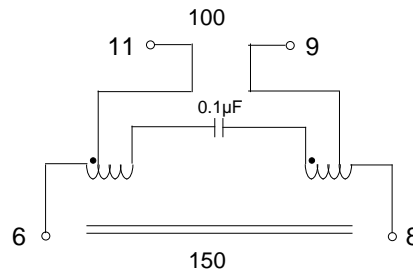
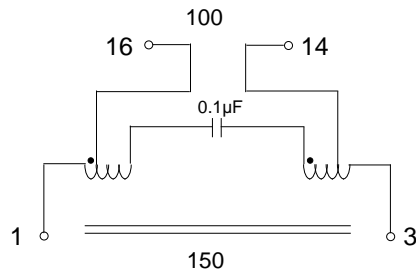


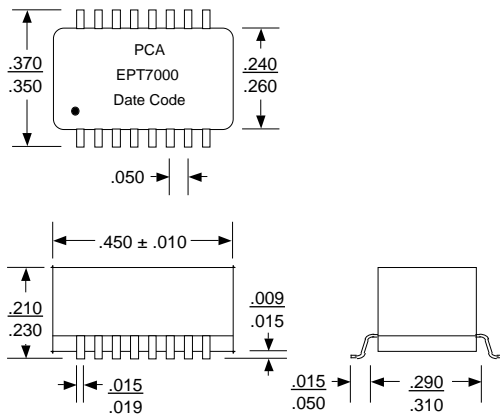
16 Pin SMD Adapter For Token Ring

PCA Part Number(s)		EPT7000			
Electrical Specifications @ 25°C					
Parameter	Frequency	Specification	XMIT	RCV	Unit
Cut-off Frequency					MHz
Insertion Loss	1-16 MHz	0.5			dB Max.
Return Loss	1 MHz	20.0			dB Min.
	5 MHz	20.0			dB Min.
	10 MHz	20.0			dB Min.
	16 MHz	20.0			dB Min.
	24 MHz	15.0			dB Min.
Common Mode Attenu.	10-40 MHz	25.0			dB Min.
Impedance Ratio	N/A	100 : 150			
Notes :					

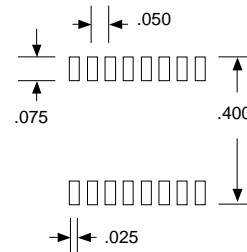
Schematic



Package



Suggested Solder Pad Layout



DST7000 8/10/94

QAF-CS07 8/10/94

Unless Otherwise Noted
Dimensions in Inches
Tolerances: Fractional = ± 1/32
.XX = ± .030 .XXX = ± .010



16799 SCHOENBORN ST.
NORTH HILLS, CA 91343

TEL: (818) 892-0761
FAX: (818) 894-5791
WEB: <http://www.pcainc.com>